

BISS AC-06-XXXX Series tension-compression fatigue rated load cells are of compact shear-web design with standard axial metric thread mounting. They exhibit excellent linearity, seamless tension-compression response and practically no hysteresis. Each load cell includes embedded auto calibration circuitry, obviating the need for calibration at installation. The load cells are precision-machined from high strength steel and instrumented with Transducer Class strain gauges and bonded resistor networks for bridge balance and temperature compensation. Two-step curing virtually eliminates potential process-related residual strains. These load cells meet / exceed ASTM E4, IS1828, ISO7500-1, BS 1610, DIN 51221, EN-10002 for accuracy

Technical features

Static Error Band	± 0.06% of Full scale
Non-linearity	± 0.05% of Full scale
Hysteresis	± 0.02% of Full scale
Non-repeatability	± 0.02% of rated output
Resolution	0.02% of Full scale
Creep in 20 min	± 0.025%
Side load sensitivity	± 0.08%
Eccentric load sensitivity	± 0.06%
Rated output	2.0 ±0.5% mv/V
Excitation voltage	10V nominal, 15V Max AC/DC
Bridge resistance	350 Ohms
Zero Balance	± 0.5% of rated output
Insulation resistance	5000 Mega ohms
Safe overload	150% of capacity without damage (up to 300% optional)
Connector	MIL connector
Calibration	Compression & Tension
Accuracy1	± 0.25% of read out value down to 1/100 of capacity
Accuracy2	± 0.5% of read out value down to 1/500 of capacity
Zero recovery	± 0.05% of read out value
Fatigue life	10 ⁹ full reverse stressed cycles



Standard features

- Tension / Compression and Fatigue rated
- 350 Ohm bridge resistance
- Shear web design up to 500kN
- Column type design for loads beyond 500kN
- Optional backing plate
- Inertia compensation
- Relatively insensitive to side loads
- Precision machined
- Provision for auto calibration and Auto Identification

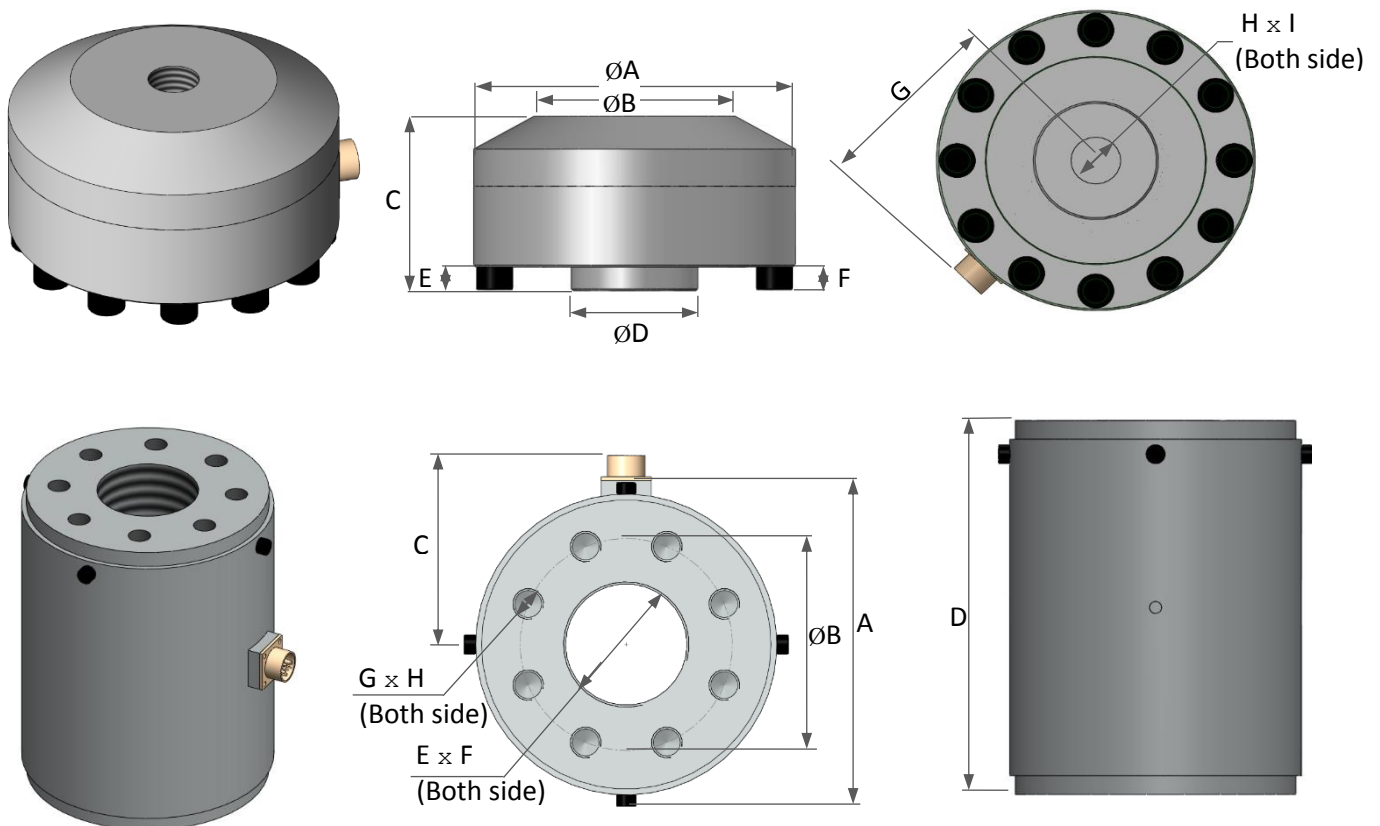
Specifications and Dimensions

Shear web type load cells

Model No.	Load Capacity, kN	ØA mm	ØB mm	C mm	ØD mm	E mm	F mm	G mm	H mm	x l mm
AC-06-035	25	125	65	76	49	2	8	75	M27X2-6H	30
AC-06-040	50	125	65	76	49	2	8	75	M27X2-6H	30
AC-06-045	100	160	100	92	63	12.5	12	91	M27X2-6H	30
AC-06-050	300	180	80	140	80	10	16	102	M50X2-6H	60
AC-06-055	500	265	140	141	115	11	16	145	M50X2-6H	50

Column type load cells

Model No.	Load Capacity kN	A mm	ØB mm	C mm	D mm	E mm	x F mm	G mm	x H mm
AC-06-060	600	168	110	100	200	M50X2-6H	60	M16-6H	30
AC-06-065	1000	190	130	115	180	M90X2-6H	60	M20-6H	40
AC-06-070	2000	220	145	125	300	M90X2-6H	90	M24-6H	60



Note: Specification might change without prior notification